

LED Highbay



fluctuate
60°/90°/105°

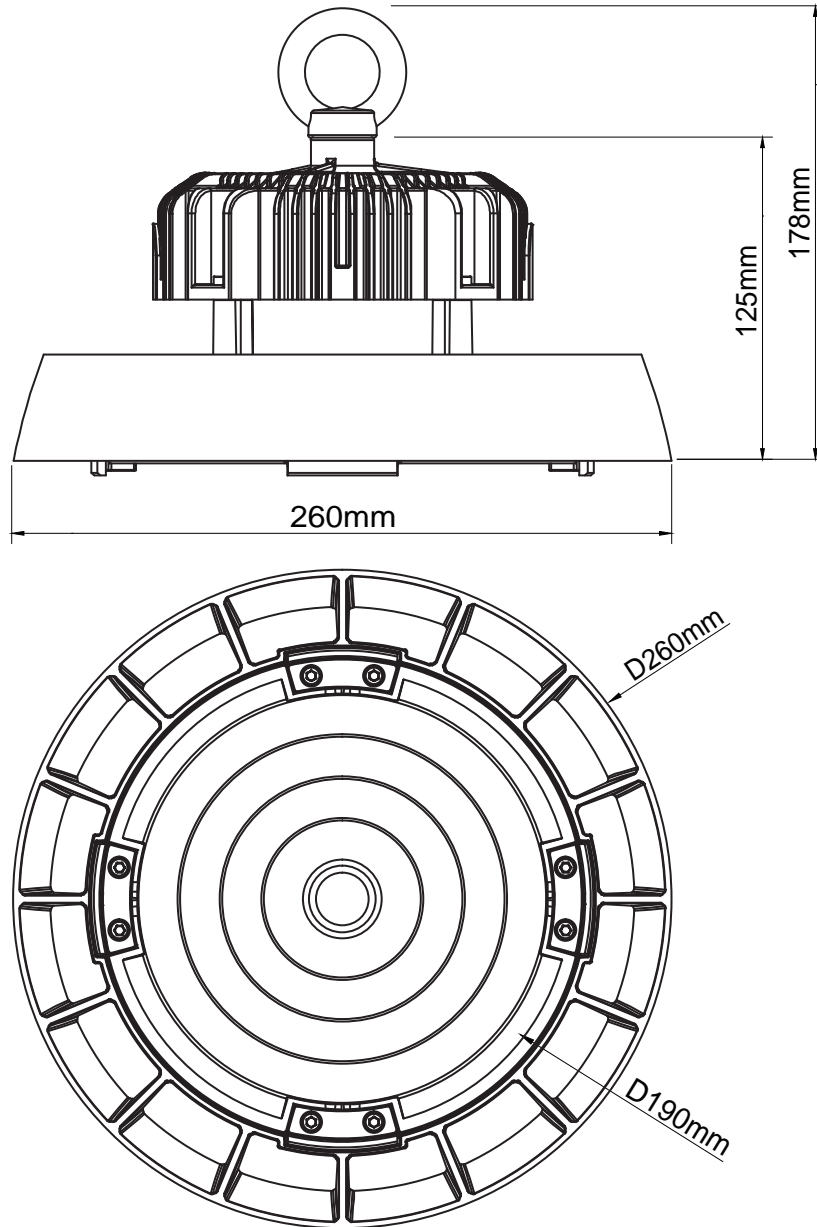


100-150W Technical Parameters:

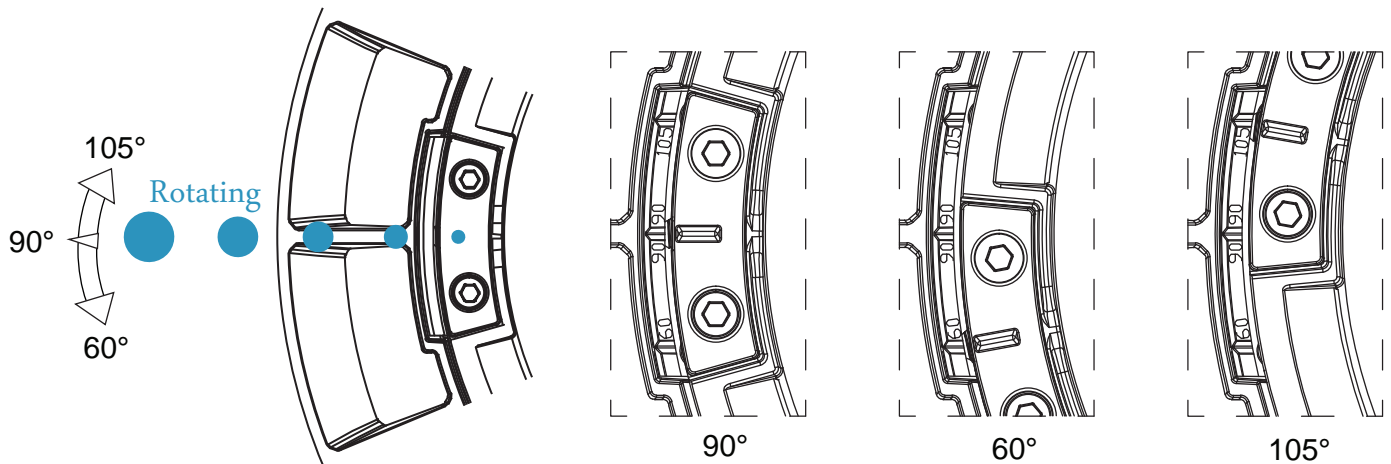


Product Name	100W LED Highbay light			150W LED Highbay light		
Part No	100W			150W		
LED Type	SAMSUNG/Philips					
LED QTY	266PCS SAMSUNG	182PCS Philips	252PCS Philips	392PCS SAMSUNG	252PCS Philips	308PCS Philips
System Efficacy	130±5% LM/W	130±5% LM/W	140±5% LM/W	130±5% LM/W	130±5% LM/W	140±5% LM/W
Luminous Flux	13000±5% LM	13000±5% LM	14000±5% LM	19500±5% LM	19500±5% LM	21500±5% LM
CCT	3000K, 4000K, 5000K, 5700K, 6500K					
Beam Angle	60°, 90°, 105°					
CRI	>80Ra					
System Efficiency	>90					
PowerSupply	LIFUD/MeanWell/Lonsng					
InputVoltage	AC100-277V					
Power Frequency	50/60Hz					
OutputVoltage	DC80-130V/DC28.8-48V					
Output Current	0.73/2.19A(Constant Current)			1.09/3.28A(Constant Current)		
Power Efficiency	≥90%					
Power Factor	≥0.9					
Total Harmonic Distortion	< 15%					
System Power consumption	100±5 W			150±5 W		
Led Power consumption	0±5 W			0±5 W		
Application	Indoor					
Safety Certification	CE,RoHS,CB,TUV,ETL,DLC			CE,RoHS,CB,TUV,ETL,DLC		
Fixture Material	ADC12 Aluminum alloy					
Use Environent	Dry or Damp or Wet					
OperatingTemperature	>50000Hrs(Ta=30℃ @LM70)					
Life span	-30 ~ 50℃					
Operating Humidity	15-90%RH					
Storage Temperature	-40 ~ 70℃					
Storage Humidity	10%-95%					
Luminaire NetWeight	3±0.2KG			3±0.2KG		
Export Carton Size	305*305*205mm					
Luminaire Gross weight	3.5±0.2KG			3.5±0.2KG		

MF

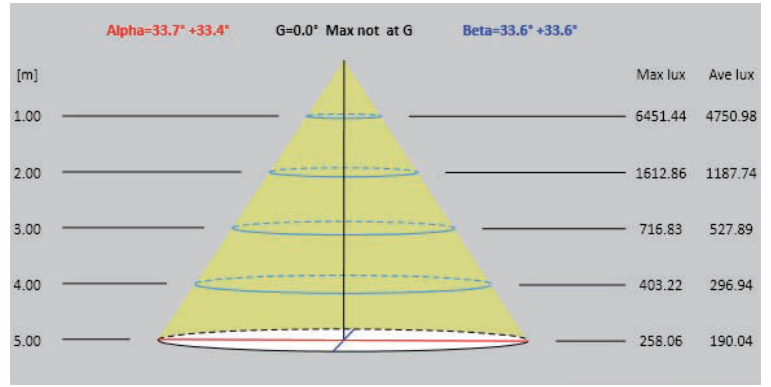
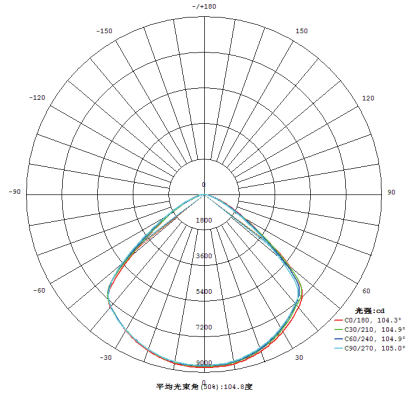
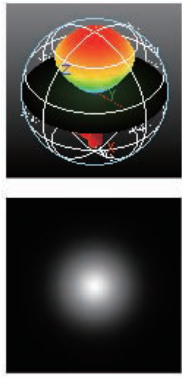


100-150W Size

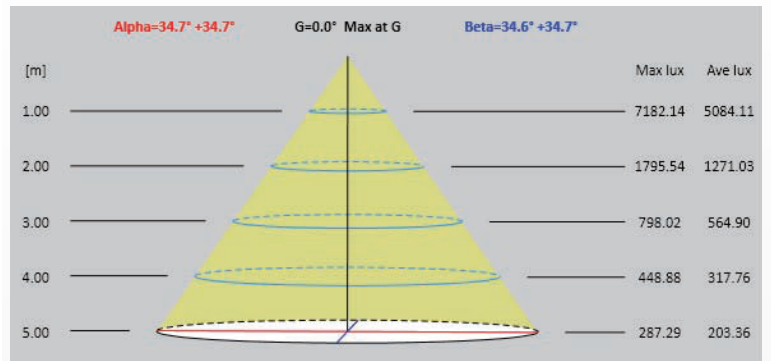
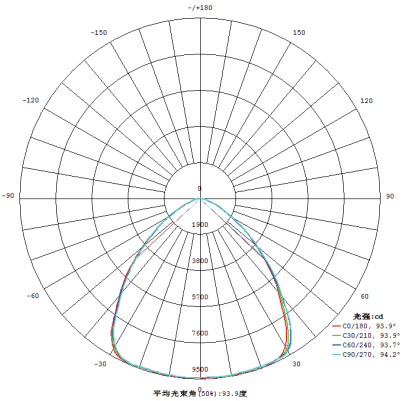
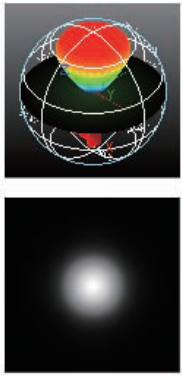


Distribution Diagram:

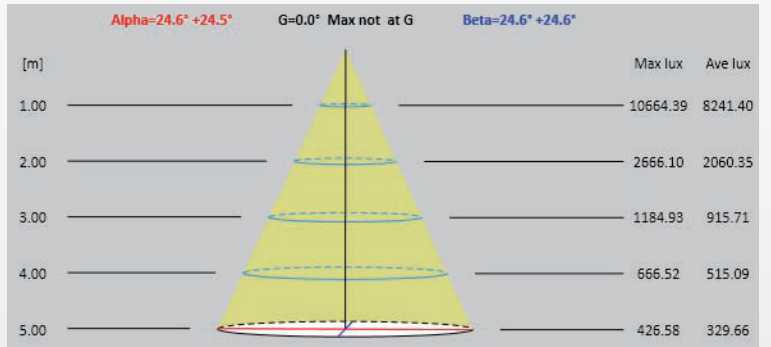
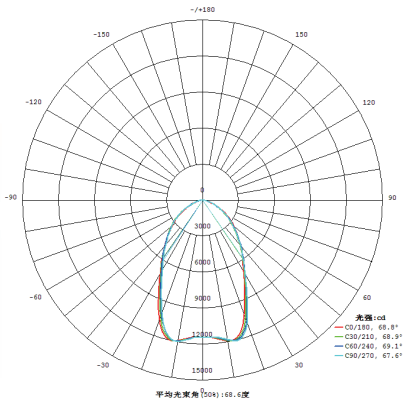
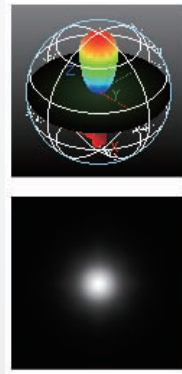
PC Lens
105DE



PC Lens
90DE



PC Lens
60DE

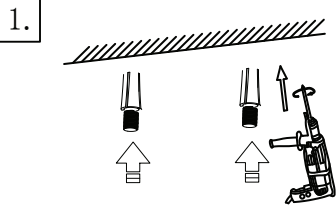


Installation:

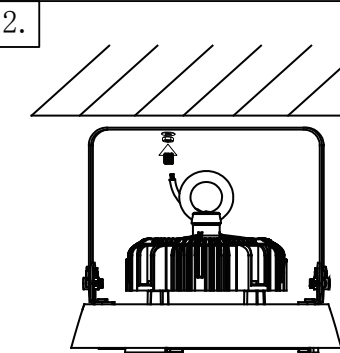
- Drilling a hole in the ceiling, install a hook
- Hanging the fixture.
- AC100-277V
All wiring finished inside the junction box

Connect the cables. Black-L, White-N, Green-Ground take care of the waterproof processing.

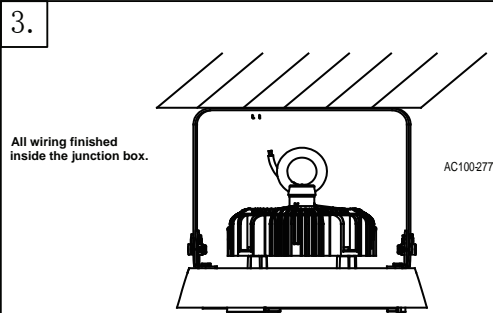
Installation:



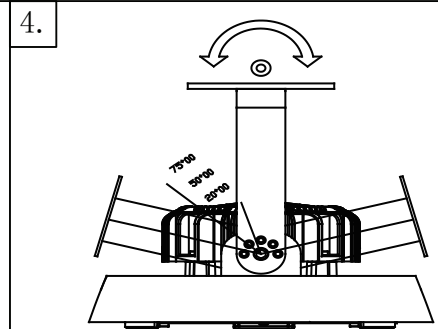
Drilling holes in the ceiling, and install the expansion screws



Fix the bracket.



Connect the cables. Black-L, White-N, Green -Ground take care of the waterproof processing.



Adjust the bracket to the beam angle you need.

Application and Control

Product Features:

- ☆ The material of heat sink is high thermal conductivity No.ADC12 aluminum, good for heat dissipation.
- ☆ The unique design of housing help to speed up the heat dissipation, further ensuring the life of the fixture. The integrated design of appearance makes the fixture looks elegant.
- ☆ This fixture is waterproof, dustproof, anticorrosive

Packing including:

1. 1pc LED High bay light.
2. 1pc product user manual.

Warning:

1. Please read the manual carefully before installation.
2. Please authorize only qualified person or professional engineer to install the fixture.
3. Before installation, Please check if the local voltage range is correspond with the working voltage of the fixture.
4. If the fixture is damaged, it should be replaced by the supplier, a service agent or a qualified person.
5. Please keep the fixture out of fire, electric shock, vibration.
6. To avoid fire, electric, shock