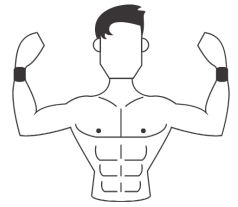




# Sports & High Mast Light

[www.mflighting.com](http://www.mflighting.com)  
[mf@mingfeng-lighting.com](mailto:mf@mingfeng-lighting.com)



# Iron Man Stadium Light Sports & High Mast Light

250W-1250W



Wattage



250W



500W



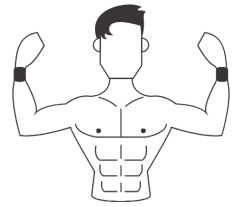
750W



1000W



1250W



# Iron Man Stadium Light

## MF-IRF-250W

### 250W up to 37083LM ( 10°)

### Specifications

#### Optical Data

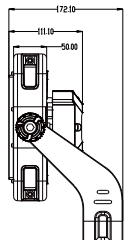
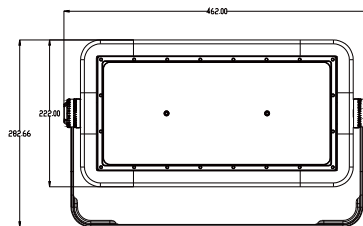
<b>Power</b>	240W~250W
<b>LED Chips</b>	Lumileds/OSRAM
<b>Luminous Efficacy</b>	130~140lm/W, 150-160lm/W
<b>Luminous Flux</b>	33142LM ( 90°)
<b>CCT</b>	3000K/4000K/5000K/5700K/6500K
<b>Beam Angle</b>	10°/25°/45°/60°/90°/130°30°60°
<b>CRI (Ra)</b>	70+ / 80+

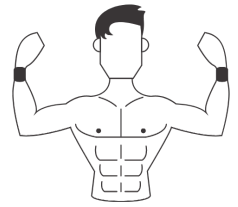
#### Electrical Data

<b>Driver</b>	Meanwell/Sosen
<b>Input Voltage</b>	AC100-277V
<b>Power Factor</b>	> 0.95
<b>Output Voltage</b>	DC42V
<b>Total Harmonic Distortion</b>	< 15%
<b>Driver Efficiency</b>	92%

#### Others

<b>IP Rating</b>	IP66
<b>Lifespan</b>	60,000Hrs
<b>Housing</b>	Die-cast aluminum
<b>Lens Material</b>	Polycarbonate
<b>Fixture Size</b>	462*222*111 mm
<b>Carton Size</b>	550*440*190 mm
<b>Net Weight</b>	8KG
<b>Gross Weight</b>	9.35KG





# Iron Man Stadium Light

## MF-IRF-500W

### 500W up to 74900 LM (10°)

## Specifications

### Optical Data

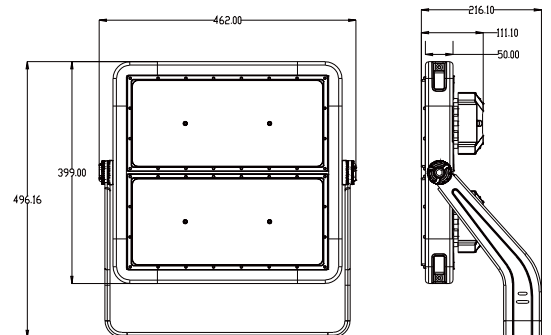
<b>Power</b>	480W~500W
<b>LED Chips</b>	Lumileds/OSRAM
<b>Luminous Efficacy</b>	130~140lm/W, 150-160lm/W
<b>Luminous Flux</b>	65853 LM (90°)
<b>CCT</b>	3000K/4000K/5000K/5700K/6500K
<b>Beam Angle</b>	10°/25°/45°/60°/90°/130°*30°*60°
<b>CRI (Ra)</b>	70+ / 80+

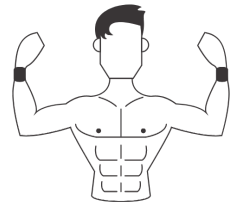
### Electrical Data

<b>Driver</b>	Meanwell/Sosen
<b>Input Voltage</b>	AC100-277V
<b>Power Factor</b>	>0.95
<b>Output Voltage</b>	DC42V
<b>Total Harmonic Distortion</b>	< 15%
<b>Driver Efficiency</b>	92%

### Others

<b>IP Rating</b>	IP66
<b>Lifespan</b>	60,000Hrs
<b>Housing</b>	Die-cast aluminum
<b>Lens Material</b>	Polycarbonate
<b>Fixture Size</b>	462*399*111 mm
<b>Carton Size</b>	613*536*175mm
<b>Net Weight</b>	15KG
<b>Gross Weight</b>	17.1KG





# Iron Man Stadium Light

## MF-IRF-750W

### 750W up to 111401 LM (10°)

## Specifications

### Optical Data

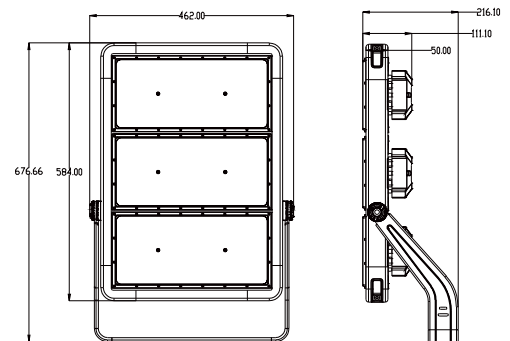
Power	720W~ 750W
LED Chips	Lumileds/OSRAM
Luminous Efficacy	130~140lm/W, 150-160lm/W
Luminous Flux	97461 LM (90°)
CCT	3000K/4000K/5000K/5700K/6500K
Beam Angle	10°/25°/45°/60°/90°/130°30°60°
CRI (Ra)	70+ / 80+

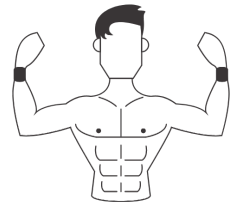
### Electrical Data

Driver	Meanwell/Sosen
Input Voltage	AC100-277V
Power Factor	>0.95
Output Voltage	DC42V
Total Harmonic Distortion	< 15%
Driver Efficiency	92%

### Others

IP Rating	IP66
Lifespan	60,000Hrs
Housing	Die-cast aluminum
Lens Material	Polycarbonate
Fixture Size	462*584*111 mm
Carton Size	680*550*240 mm
Net Weight	20KG
Gross Weight	22.75KG





# Iron Man Stadium Light

## MF-IRF-1000W

1000W up to 147959 LM (10°)

### Specifications

#### Optical Data

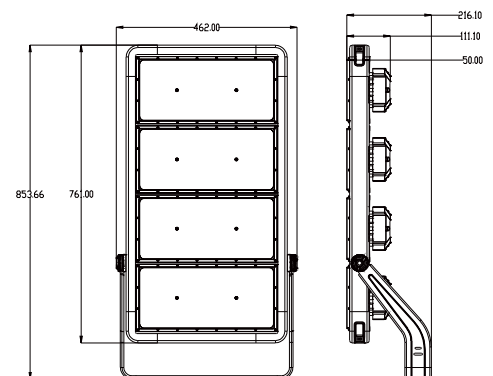
Power	960W~1000W
LED Chips	Lumileds/OSRAM
Luminous Efficacy	130~140lm/W, 150-160lm/W
Luminous Flux	128974 LM (90°)
CCT	3000K/4000K/5000K/5700K/6500K
Beam Angle	10°/25°/45°/60°/90°/130°*30°*60°
CRI (Ra)	70+ / 80+

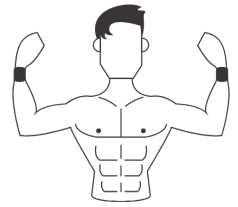
#### Electrical Data

Driver	Meanwell/Sosen
Input Voltage	AC100-277V
Power Factor	>0.95
Output Voltage	DC42V
Total Harmonic Distortion	< 15%
Driver Efficiency	92%

#### Others

IP Rating	IP66
Lifespan	60,000Hrs
Housing	Die-cast aluminum
Lens Material	Polycarbonate
Fixture Size	462*761*111 mm
Carton Size	860*550*240 mm
Net Weight	26KG
Gross Weight	28.9KG





# Iron Man Stadium Light

## MF-IRF-1250W

### 1250W up to 192500LM (10°)

### Specifications

#### Optical Data

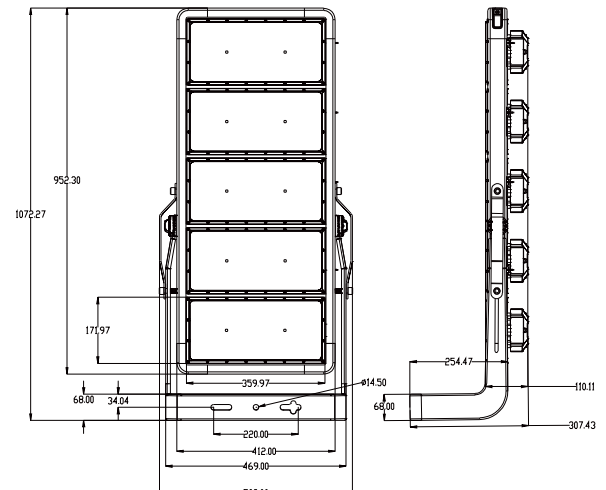
<b>Power</b>	1200W~ 1250W
<b>LED Chips</b>	Lumileds/OSRAM
<b>Luminous Efficacy</b>	130~140lm/W, 150-160lm/W
<b>Luminous Flux</b>	167500 LM (90°)
<b>CCT</b>	3000K/4000K/5000K/5700K/6500K
<b>Beam Angle</b>	10°/25°/45°/60°/90°/130°*30°*60°
<b>CRI (Ra)</b>	70+ / 80+

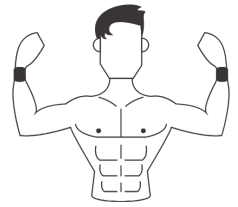
#### Electrical Data

<b>Driver</b>	Meanwell/Sosen
<b>Input Voltage</b>	AC100-277V
<b>Power Factor</b>	>0.95
<b>Output Voltage</b>	DC42V
<b>Total Harmonic Distortion</b>	< 15%
<b>Driver Efficiency</b>	92%

#### Others

<b>IP Rating</b>	IP66
<b>Lifespan</b>	60,000Hrs
<b>Housing</b>	Die-cast aluminum
<b>Lens Material</b>	Polycarbonate
<b>Fixture Size</b>	502*1072*307mm
<b>Carton Size</b>	1060*600*280 mm
<b>Net Weight</b>	36KG
<b>Gross Weight</b>	37KG





# Feature display



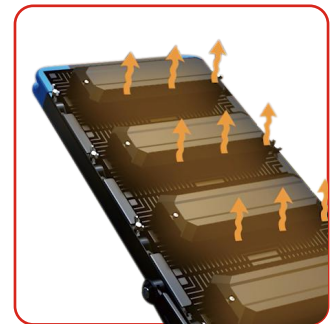
Spill Shield: Reducing light pollution



Raked Angel for Precise Installation

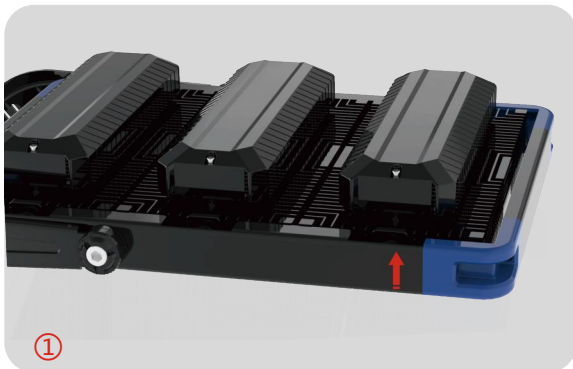


IP Rating: IP66

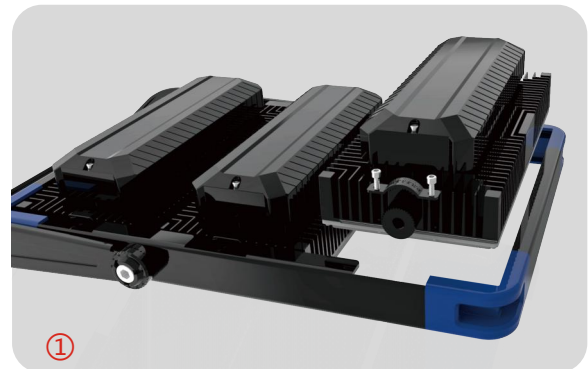


Efficient Heat Dissipation

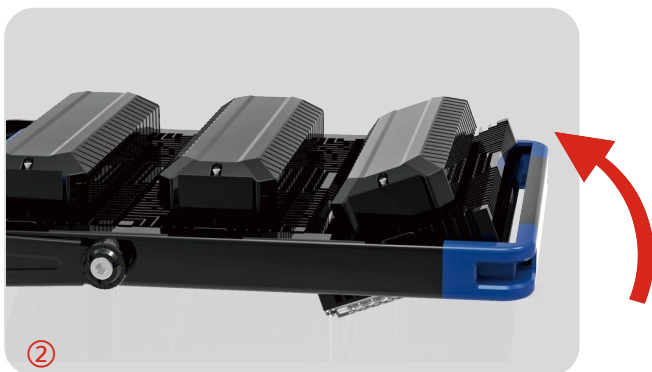
## Assemble and disassemble operation



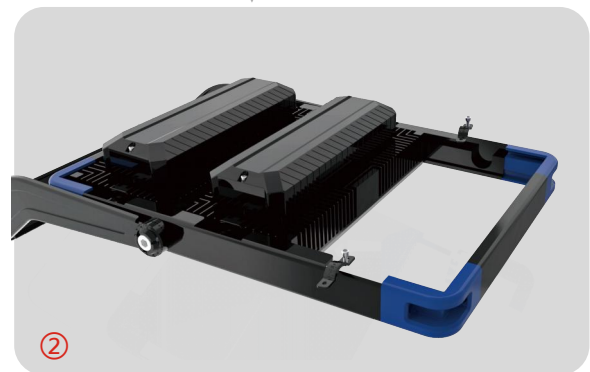
① Screw off the nuts be horizontal with the rear of light.



① Screw off the nuts and revolve it to 360 degree.



② Adjustable angle module is  $\pm 30$  degree.

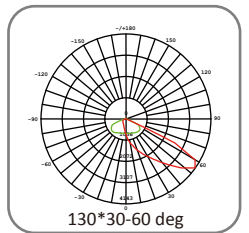
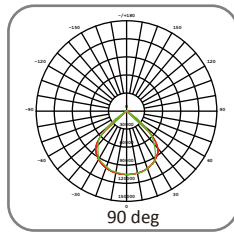
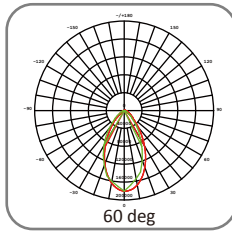
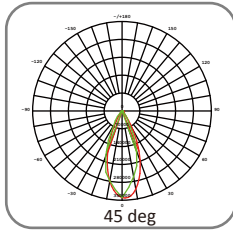
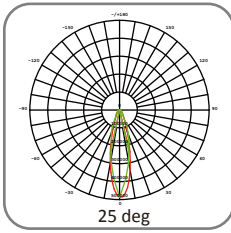
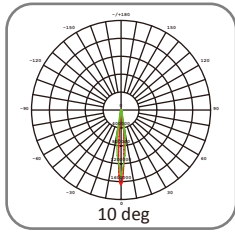
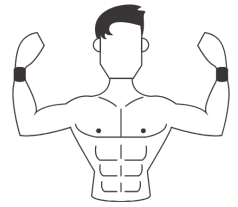


② Fetch out the defective module and make a crown.

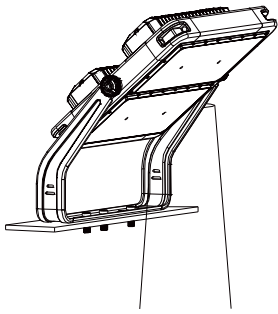




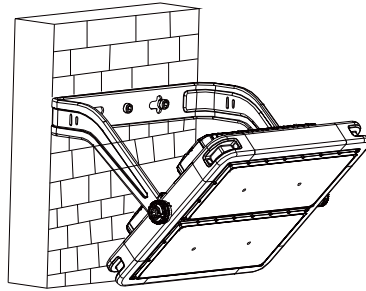
# Iron Man Stadium Light



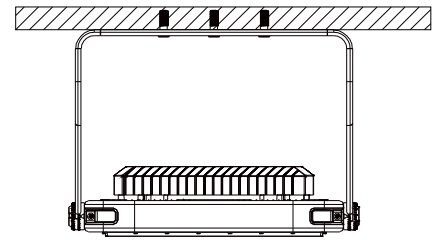
## Installations



Vertical Mounting

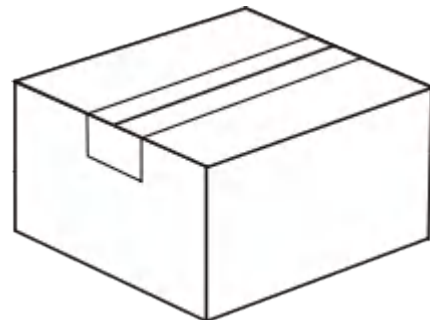
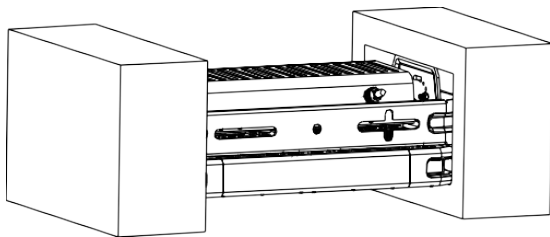


Wall Mounting



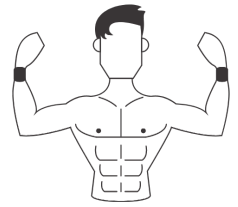
Hanging Mounting

## Package



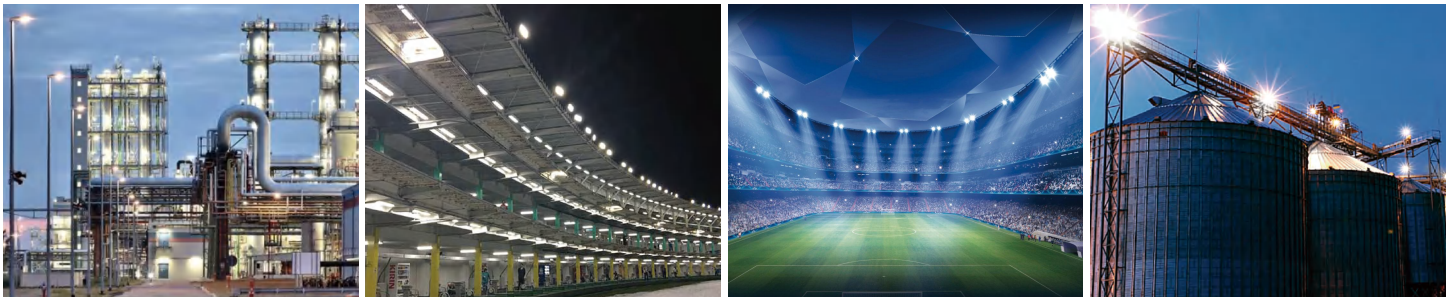


# Iron Man Stadium Light



Part No.	MF-IRF-250W	MF-IRF-500W	MF-IRF-750W	MF-IRF-1000W	MF-IRF-1250W
<b>Power Consumption</b>	240W~250W	480W~500W	720W~750W	960W~1000W	1200W~1250W
<b>Input Voltage</b>	AC 100-277V				
<b>LED Chip</b>	Lumileds/Osram				
<b>CRI</b>	336PCS	672PCS	1008PCS	1344PCS	1680PCS
<b>CRI</b>	RA>70/ RA>80				
<b>PowerFactor</b>	>0.95				
<b>Efficiency</b>	130~140LM/W / 150LM~160LM/W				
<b>IP Rating</b>	IP66				
<b>Working Temp</b>	-35°C~+50°C				
<b>Beam angel</b>	10°/25°/45°/60°/90°/130°30°60°				
<b>Warranty</b>	5 years-7 years				
<b>Product Size(MM)/ Carton Size(MM)</b>	L462xW222xH1111 / 550*440*190MM	L462xW399xH1111/ 613*536*175MM	L462xW584xH1111 / 680*550*240MM	L462xW761xH1111 / 860*550*240MM	L502xW1072xH307/ 1060*600*280MM
<b>N.W/G.W</b>	8KG/9.35KG	15KG/17.1KG	20KG/22.75KG	26KG /28.9KG	36KG/37KG

## Application



Application: Stadium, Wharf, Airport, Dock, Tower Crane, Large Outdoor Parking Lot, Football Field, Basketball Court, Tennis Court, Golf Course etc.