



Ming Feng Lighting Co.,Ltd

-The Quality Light

Airforce
is here
www.mingfeng-lighting.com



Airforce Family Stadium Light

--Lights the World



300W

1200W

From 240W to 1800W

≥ 0.95	70 Ra	IP66	IK08	10KV/20KV	≥ 50000 Hrs	AC 200- 277V	47-63Hz
Power Factor	CRI	IP Level	IK Level	Surge Voltage	TM-21(L ₇₀)	Input Voltage	Power Frequency





■ Matters needing attention

- Before installing the lighting fixtures, please read this instruction manual carefully.
- The lighting fixtures should be installed, connected and tested by a certified electrician based on the local regulations.
- Lamps should always be installed or replaced carefully.
- Please check the local voltage in accordance with the product requirements before installation.
- Revamping only can be done when the power is off and the lamp is completely cooled down.
- When clean the lamp, make the power off and let it cool down completely, clean the fixture with a soft cloth and a standard PH neutral detergent, stainless steel should be maintained regularly.
- Don't cover the fixtures with flammable materials.
- Replace should be made by the manufacturer or his service agent or certified electrician in order to avoid a hazard.



■ Temperature Characteristics T-ambient 25°C

Temperature
 Operating(230V):-40~+50°C
 Storage:-40~+60°C

■ Electrical Characteristics

Input Voltage:AC200-277V 50/60Hz
 PF>0.93
 Power Efficiency≥0.90





1.Features

- Modular high mast floodlight, which can be spliced freely, realize a variety of power according demands, meet the power needs of various height installations, and facilitate stock.
- Finned radiator, the main lightweight design, reducing the load bearing pressure of the pole.
- Standard iron galvanized dusting bracket, high resistance to salt spray, can be used for seaside, dock, etc.
- Designed to fulfil the Future Proof concept. The photometric engine is IP 66 sealed to protect the LEDs and lenses from coming into contact with the outside environment and so maintain photometric performance over time.
- Each module can be adjust the irradiation position to achieve better light distribution.
- 1060 Aluminum, thickness 0.5mm, the heat dissipation area is lager, and the heat dissipation effect is better, it's with Lighter weight, which is 1/3 of weight of die-casting, proximate matter and cold forging.
- Flexible optical system optimising lighting distributions for best in class results.
- The surge protection can reach 10KV/20KV.
- 100,000 times switching cycle before failure
- Total harmonic distortion (THD)<15%

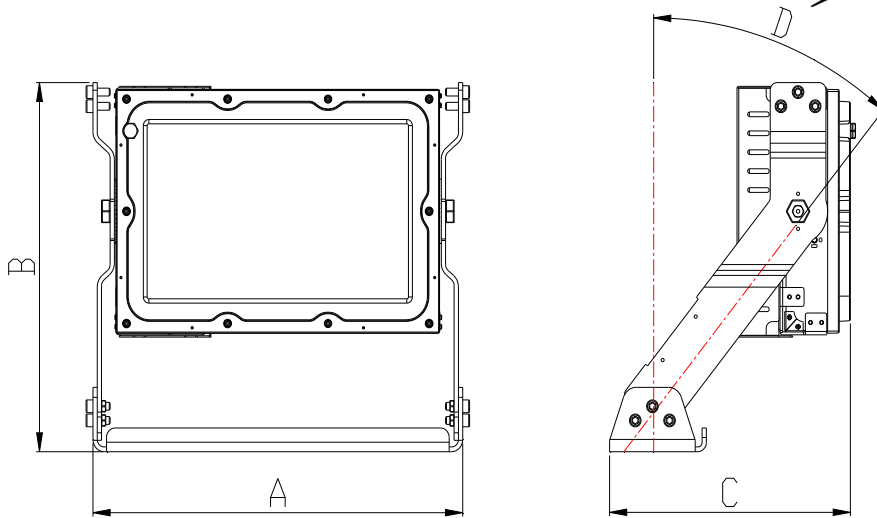
2.Application

STADIUM INSTALLATION	SQUARE INSTALLATION	INDUSTRIAL INSTALLATION
National Stadium	Logistics Port	Refinery Area
Outdoor Playground	Cultural Square	Mine Square
Indoor Stadium	Pedestrian Street Square	Gravel Mining
School Stadium	Training Ground	
Golf Course	Animal Husbandry Square	
Football Field		

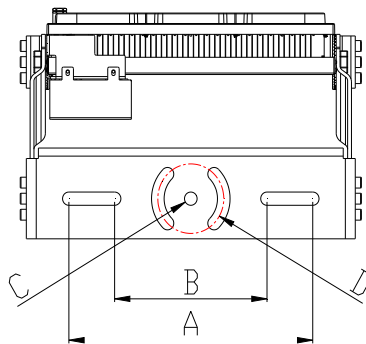




3.Product Dimension



Model NO.	MF-AFS300W
Size A(mm)	432
Size B(mm)	390
Size C(mm)	281
Size D(°)	40



Size A(mm)	320
Size B(mm)	200
Size C(mm)	16.5
Size D(mm)	86.5

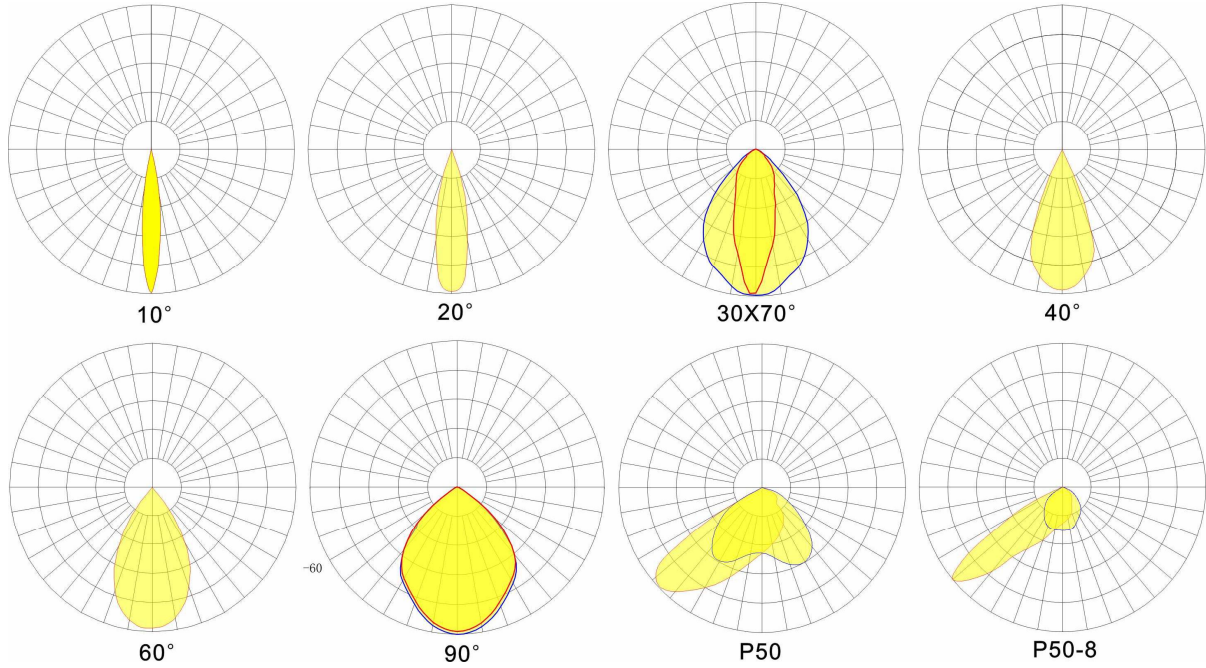




4.Parameter

Model NO.	Power (W)	Light Source	LED QTY (pcs)	CCT (K)	Lumens lm/w	CRI	Beam Angle
MF-AFS240W	240	5050	120	5000K	160	>70	90
MF-AFS300W	300	5050	120	5000K	160	>70	90

CCT Range WW(3000K) NW(4000K) DW(5000K) CW(6500K)
 Beam Angle:10/ 20/30x70/40/ 60/ 90 degree/ P50-P8/ P50/ Type-IV



ErP Technical Specification

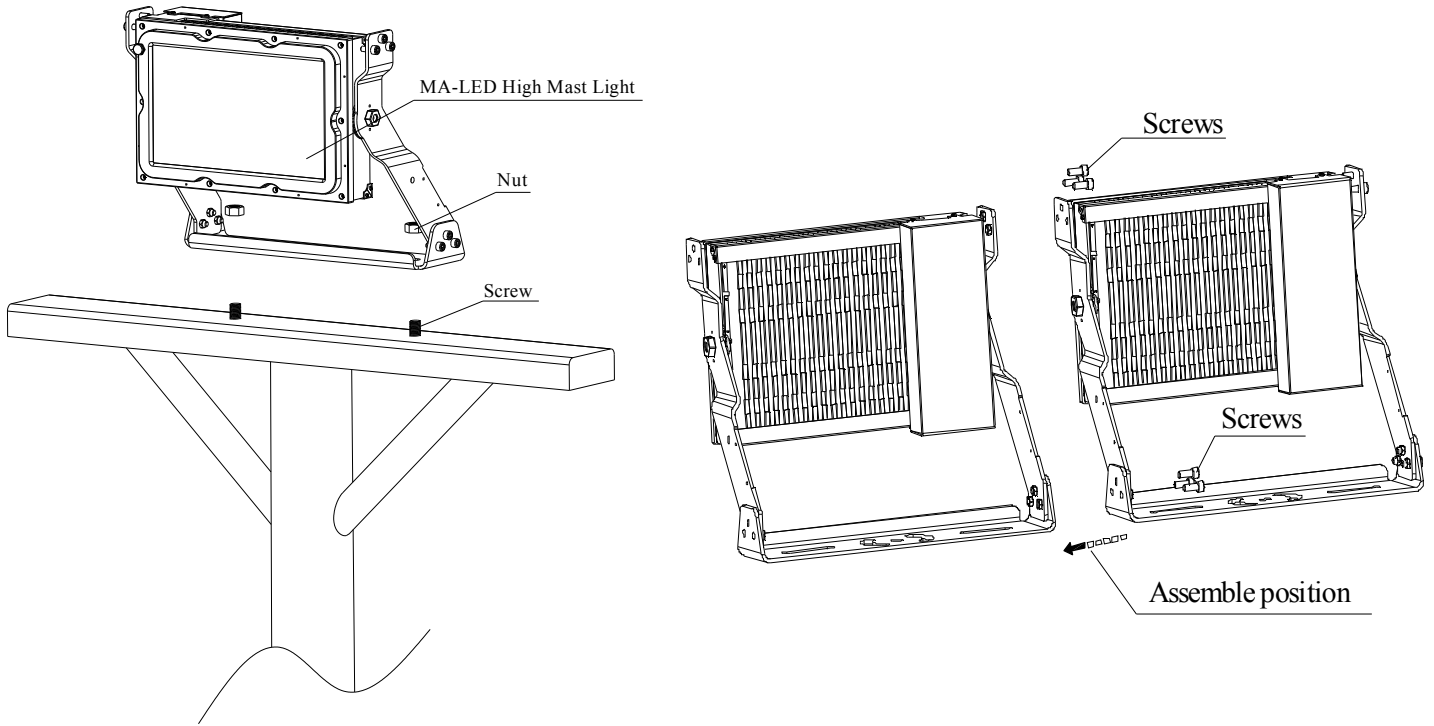
Item	Symbol	specification/Data
Color Index	CRI	Ra>70
Luminous Efficacy	Lm/W	150-160lm/w
Energy efficiency Class	/	A++
Color consistency in level	/	Max.6SDCM
THD	%	<15%
Starting Time	S	<0.5S
Switching cycle before failure	/	>100,000times
Premature failure rate@1000h	/	0
Lifespan	/	>50000Hrs



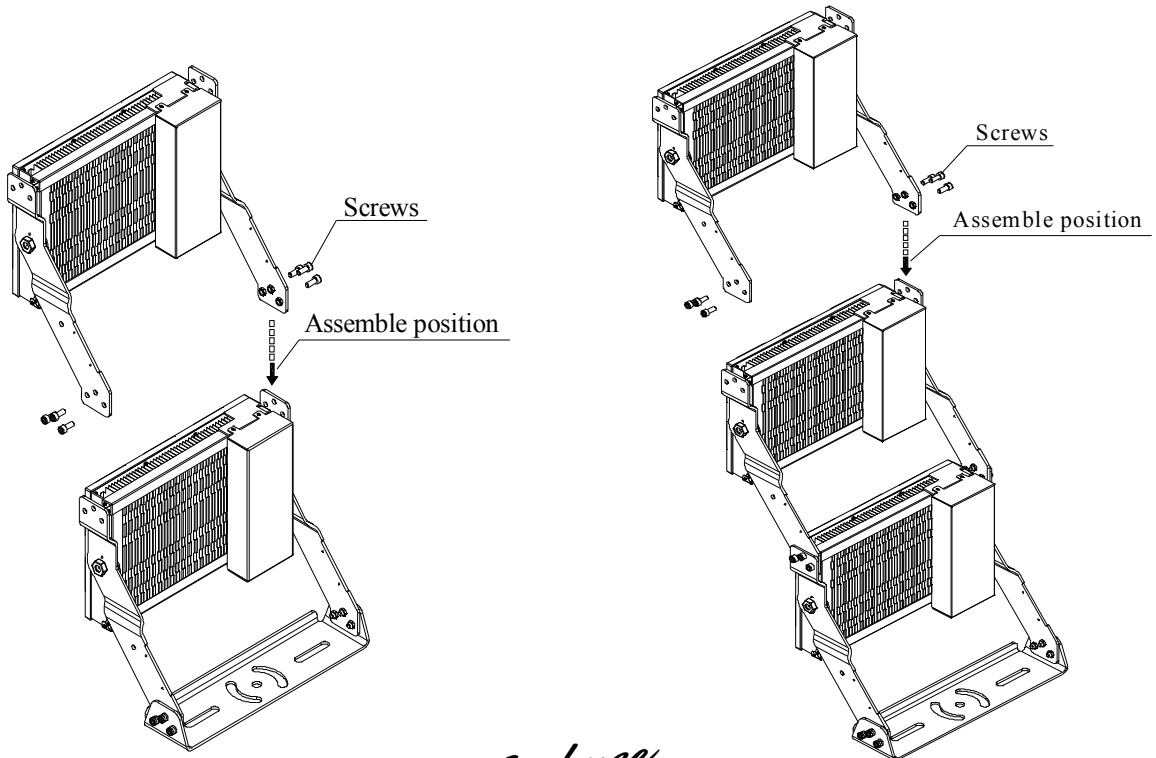


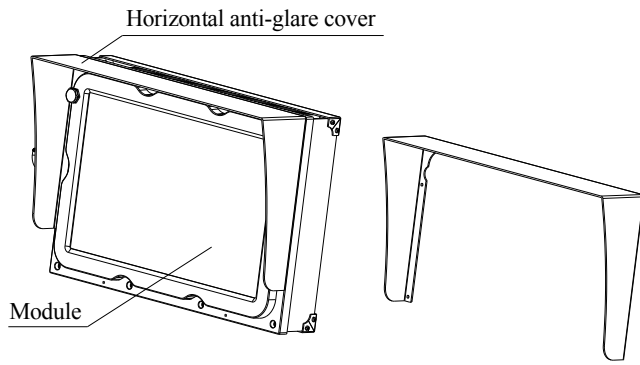
5. Installation

Installation Instructions



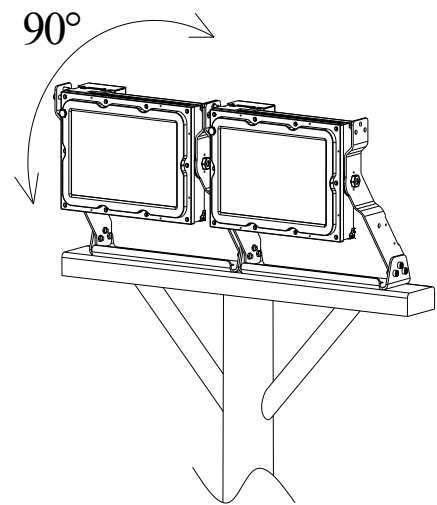
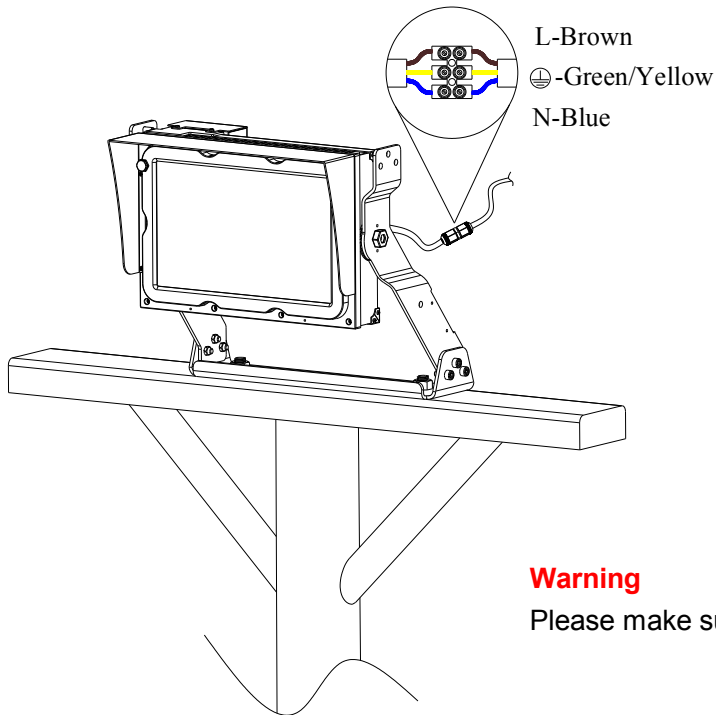
- A. Place the lamp in the corresponding mounting position, align the mounting hole, insert the screw.





Optional accessories

*. Fix the anti-glare cover with screws and modules



B. Tighten the screw with a wrench and adjust the lighting angle

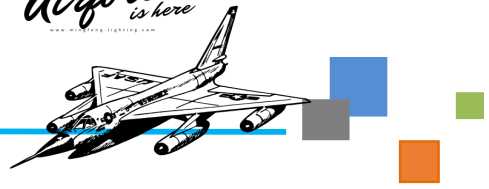
Warning

Please make sure the power off before operation

C. Connect input cord and keep waterproof.

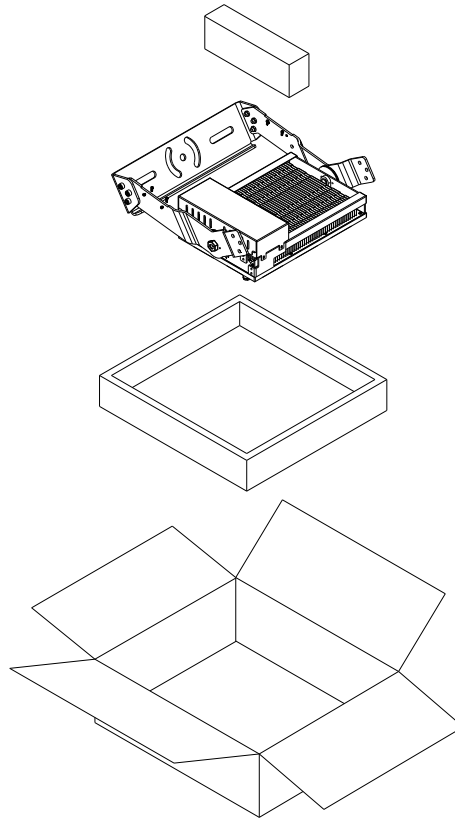
D. When finish above A, B, and C, pls turn on for test, according to the lighting needs, adjust the lighting angle and tighten the screws to ensure the safety at high altitude.





6.Packging

MF-AFS240W



Packing Data

Model No	Single Box	Pcs/CTN	N.W./pcs (kg)	G.w./CTN (kg)	Meas (mm)
MF-AFS240W/300W	1	1	10.1	11.6	505*481*210

7.Attention

This specification is for reference only, we reserve the right to change without notice. If you need the updated info, please contact local distributors

