

LEDRHYTHM

LED
PRECISE, HIGH-OUTPUT LIGHTING

Ares I

INDUSTRIAL LIGHTING

240W, 300W, 360W, 400W, 480W

- Intelligent control
- Operating Temp : -30 °C to + 45 °C
- 0-10V Dimming Optional
- Expected Life over 50,000 Hours
- Die Cast Aluminum
- Famous brand drivers and chips



POWER

Available in 300W, 360W, 400W, 450W, ConFigurations

PRECISION

High Chip Density for Increased Uniformity

ENGINEERING

Extruded aluminum Heatsink for Maximum Thermal Management

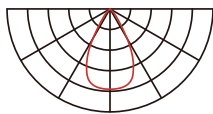
ORDERING INFORMATION

SERIES	WATTS	CCT	OPTICS	INPUT PWR	Protection	Housing Material	DIMMING	FIELDS APPLICATION
Ares I	300W 360W 400W	3000K 4000K 5000K 5700K	60° 90° 120°	100-277V 277-480 VAC	IP66	Die Cast Aluminum	0-10V Dimmable Optional	Warehouse Cold storage Retail areas Production and assembly halls

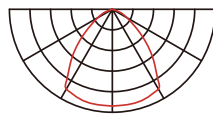
NOTES

- 80 CRI Standard
- Custom RAL Colors Require Additional Costs & Lead Times
- UL, FL & DL Options not DLC QPL Listed
- CM Mounting Standard

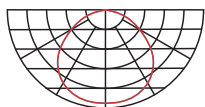
OPTICS



60°



90°



120°

LUMEN CHART

	3000K	4000K	5000K	5700K
240W	31200lm	33600lm	36000lm	33600lm
300W	39000lm	42000lm	45000lm	42000lm
360W	46800lm	50400lm	54000lm	50400lm
400W	52000lm	56000lm	60000lm	56000lm
480W	62400lm	67200lm	72000lm	67200lm

Due to continuous improvement and innovation, product appearance and specifications may change without notice. Actual performance may differ as a result of end-user environment and application.

Ares I

INDUSTRIAL LIGHTING

SPECIFICATIONS

Expected Life | Over 50,000 hrs.
Rating | IP66
Color Rendering Index (CRI) | >80
Operating Temp | -30°C – +45°C
Relative Humidity | 0-90% RH
Power Factor | ≥97%
Input Voltage | 120-277/277-480 VAC
Input Frequency | 50/60 Hz
LED Chips | OSRAM
DIMMING | 0-10V Optional
LED Efficiency
- 3000K, 130 lm/w
- 4000K, 140 lm/w
- 5000K, 150 lm/w
- 5700K, 140 lm/w
Surge Protector | 4kV

WARRANTIES

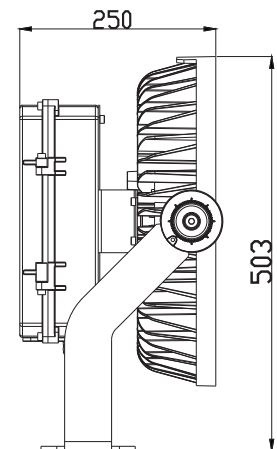
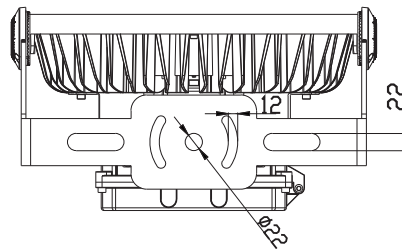
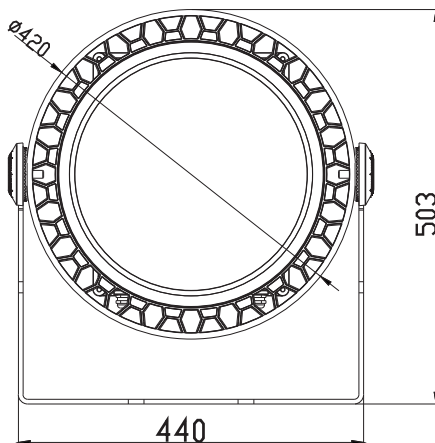
SEE WEBSITE FOR DETAILS

Housing | 5-Year
LED | 5-Year
Driver | 5-Year

MATERIALS

Housing | Die Cast Aluminum
A380 Alloy ADC12
Gasketing | Neoprene Rubber
Hardware | 18-8 Stainless Steel
Finish | Protective UV Stabilized Powdercoat
4000 Hour Salt Spray Tested to ASTM B117
Lens | PC

PRODUCT DRAWINGS



Due to continuous improvement and innovation, product appearance and specifications may change without notice. Actual performance may differ as a result of end-user environment and application.