

LEDRHYTHM

LED
PRECISE, HIGH-OUTPUT LIGHTING

Superb II

HIGH MAST LIGHTING

300W-400W, 600W-800W, 1000W-1200W

- Intelligent control
- Operating Temp : -40°C to + 50 °C
- 0-10V Dimming Standard
- Expected Life over 50,000 Hours
- Die-cast aluminum
- Famous brand drivers and chips

PROJECT

CATALOG #

TYPE



POWER

Available in 300W-400W, 600W-800W, 1000W-1200W, Configurations

PRECISION

High Chip Density for Increased Uniformity

ENGINEERING

Extruded aluminum Heatsink for Maximum Thermal Management

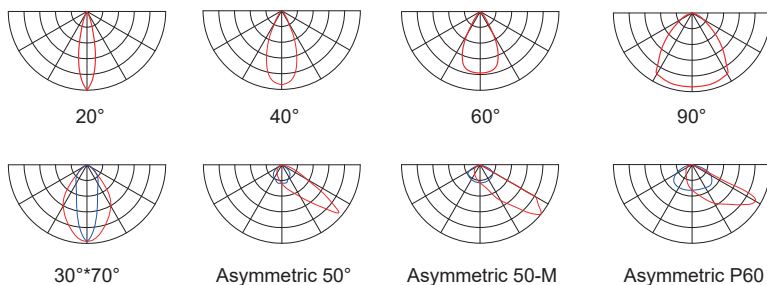
ORDERING INFORMATION

SERIES	WATTS	CCT	OPTICS	INPUT PWR	Protection	Housing Material	DIMMING	FIELDS APPLICATION
Superb II	300W-400W	3000K	20°	120-277V	IP66	Die-cast aluminum	0-10V Dimmable	Stadium Parking lot Port terminal
	600W-800W	4000K	40°	277-480 VAC				
	1000W-1200W	5000K	60°					
		5700K	90°					
			30°*70° Asymmetric 50° Asymmetric 50-M Asymmetric P60					

NOTES

- 70 CRI Standard
- Custom RAL Colors Require Additional Costs & Lead Times
- CM Mounting Standard

OPTICS



LUMEN CHART

	3000K	4000K	5000K	5700K
300W	39000lm	42000lm	42000lm	39000lm
600W	78000lm	84000lm	84000lm	78000lm
1000W	130000lm	140000lm	140000lm	130000lm

Due to continuous improvement and innovation, product appearance and specifications may change without notice. Actual performance may differ as a result of end-user environment and application.

Superb II

HIGH MAST LIGHTING

SPECIFICATIONS

Expected Life | Over 50,000 hrs.
Rating | IP66
Color Rendering Index (CRI) | >70
Operating Temp | -40°C ~ +50°C
Relative Humidity | 0-90% RH
Power Factor | ≥95%
Input Voltage | 120-277/277-480 VAC
Input Frequency | 50/60 Hz
LED Chips | Lumileds
DIMMING | 0-10V
LED Efficiency
- 3000K, 130 lm/w
- 4000K, 140 lm/w
- 5000K, 140 lm/w
- 5700K, 130 lm/w
Surge Protector | 10kv

WARRANTIES

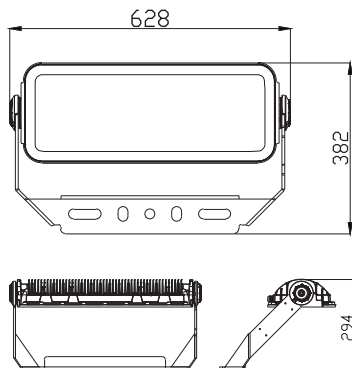
SEE WEBSITE FOR DETAILS

Housing | 5-Year
LED | 5-Year
Driver | 5-Year

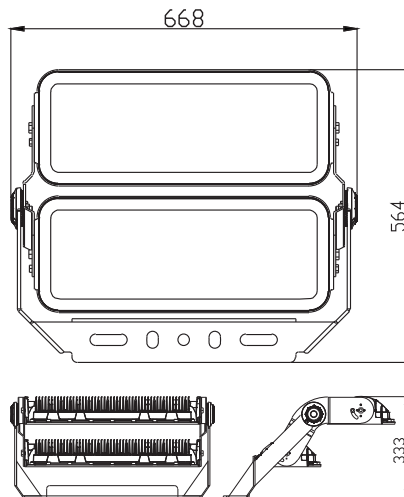
MATERIALS

Housing | ADC12
Gasketing | Neoprene Rubber
Hardware | 18-8 Stainless Steel
Finish | Protective UV Stabilized Powder Coated
4000 Hour Salt Spray Tested to ASTM B117
Lens | PC. 4mm Thick

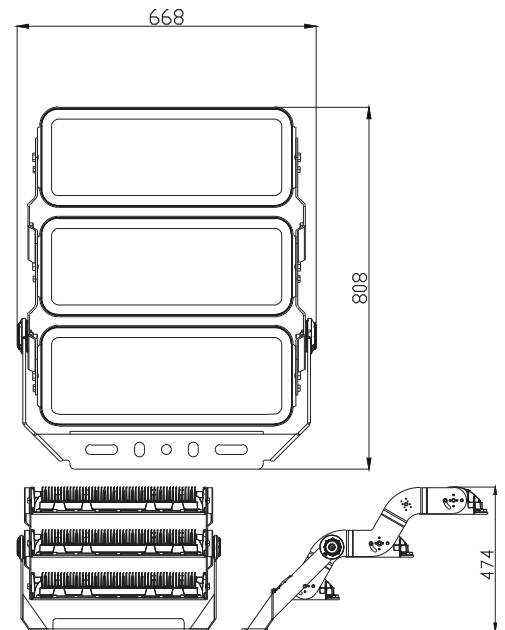
PRODUCT DRAWINGS



300W-400W



600W-800W



1000W-1200W

Due to continuous improvement and innovation, product appearance and specifications may change without notice. Actual performance may differ as a result of end-user environment and application.