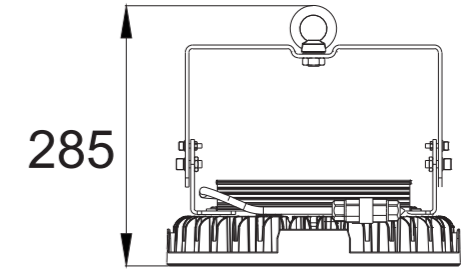
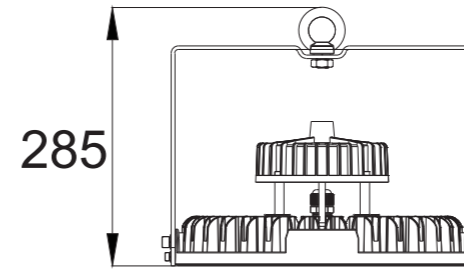
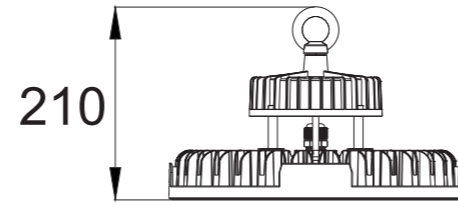
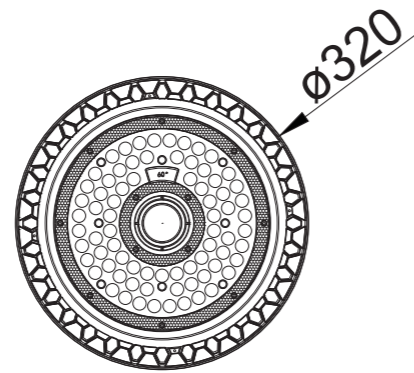


# Diamond II

80W-200W



240W-400W

