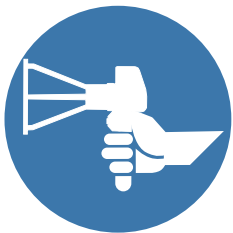


# F Model

## Handheld Smart Laser Marking Machine

### Average output power:

20W / 30W



Hand-held and portable,  
wireless marking



6-8 hours long  
battery life

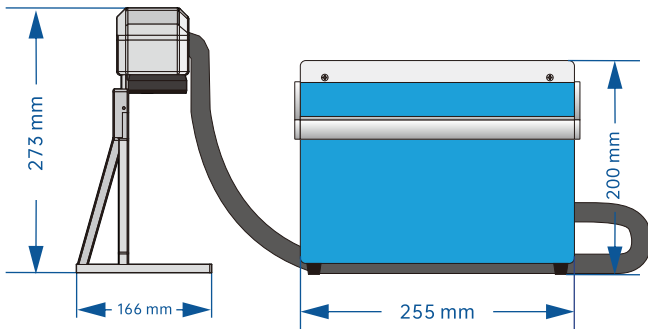


## PRODUCT DESCRIPTION

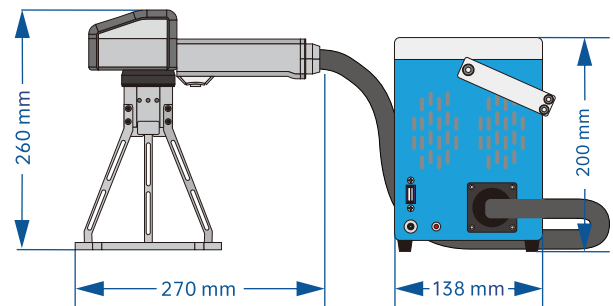
The F Series handheld smart laser machine is a portable, battery-powered and fully autonomous marking machine. Due to its powerful 24V rechargeable lithium battery power supply system, it can maintain 6-8 hours of work under normal use, with strong endurance and no cable drag, avoiding the embarrassment of sudden power failure during use. Its light weight and multiple functions make it especially suitable for perfect marking on large, cumbersome or difficult to move workpieces.

F Series handheld smart laser machine is powerful, sturdy and reliable. The weight of the machine is 6 kg. Its marking head is only 1.25 kg. It has an ergonomic grip that comfortable to hold and easy to operate. It supports rear USB interface. Software support: text, pattern, twodimensional code, barcode, serial number, graphics and other marking content. In addition, F Series also has a special box that is convenient for storage and can be carried to different locations. It is one of the smallest rechargeable laser marking machines on the market.

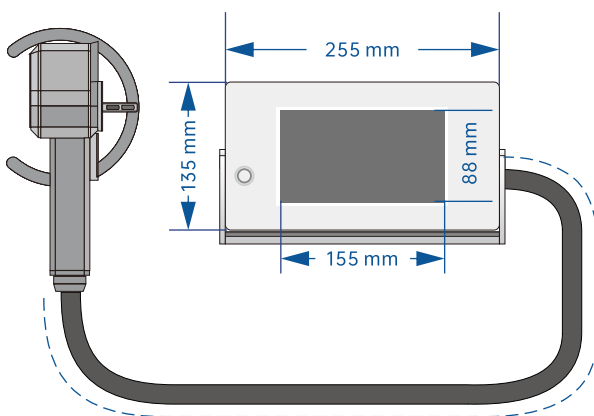
**PRODUCT SIZE**



**FRONT VIEW**

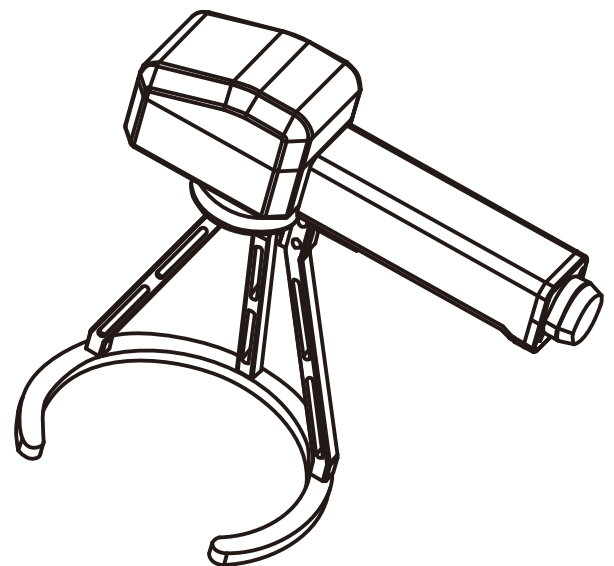


**END VIEW**



Laser source circuit 1135 mm

**VERTICAL VIEW**



**Laser 3D composition**

## PRODUCT PARAMETER

Modelseries		F Series	
Model		F 20i	F 30i
Laser parameter	Output power	19.5W	26.5W
	Beam qualityM <sup>2</sup>	1.4	
	Pulse repetitionrate	27-60kHz	
	Laser wavelength	1064 ±5	
	Outputpower stability	< 3%	
Optical properties	Marking range	75mm	
	Engraving depth	1mm (depending on power and time )	
	Engraving speed	10000mm/s	
	Repea tability	±0.005	
	Minimum marker line width	0.1mm	
	Minimum character height	0.15mm	
Use environment	Battery life	Under normal use, it can maintain work for 6-8 hours	
	Cooling method	Built-inair cooling	
	Power supply to the system	500W/100-240V/50/60Hz	
Other parameters	operating system	Linux operating system	
	file format	Software supports text, pattern,QR code,barcode,serial number,graphics and other marking content(standard USB input)	
	Dimensions	Control chassis: 255X135X200mm Stamping head:270X166X273mm	
	Total weight	The whole machine is 6kg,and the head is 1.25kg	

## SCOPE OF APPLICATION



Automobile manufacturing industry



Aerospace industry



Metal processing industry



Construction machinery industry



Household appliance industry



Energy industry

## PRODUCT ADVANTAGES

Operation demonstration



### 1. Wireless marking

- Configure 24V lithium battery to achieve complete wireless
- It can maintain 6-8 hours of work under normal use, with strong endurance
- Automatic start-stop design, automatic shutdown after 60 seconds of standby, saving power and reducing consumption.

### 2. 100% portable

- The weight of the whole machine is 6KG, the marking head is only 1.25KG, it is small and light, and it can be printed on the go
- Especially suitable for marking on large, heavy or difficult to move workpieces
- Special suitcase for easy transportation

### 3. High-quality light source

- The weight of the whole machine is 6KG, the marking head is only 1.25KG, it is small and light, and it can be printed on the go
- Especially suitable for marking on large, heavy or difficult to move workpieces
- Special suitcase for easy transportation

## PRODUCT CHARACTERISTICS

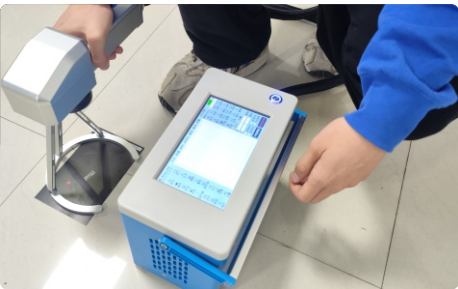


### THE WHOLE MACHINE WEIGHS 6KG, IT IS LIGHT AND PORTABLE TO MARK ANYWHERE.

Powerful and reliable, the weight of the whole machine is 6 kg, and its marking head is only 1.25 kg. It has an ergonomic grip that comfortable to hold and easy to operate.

### ADVANCED FIBER 20W LASER

Using MAX 20W fiber laser source, the spot quality is good, the output light power is stable, and it can be flexibly applied to metal materials and some non-metal materials.

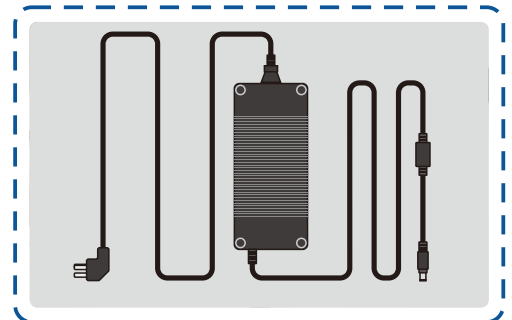


### LONG BATTERY LIFE, 6-8 HOURS WORKING TIME

It uses 24V lithium battery to achieve complete wireless, which can maintain work for 6-8 hours under normal use.

### MARKING WHILE CHARGING, THE DEVICE CAN BE CHARGED AND USED AT WORK

Increased power control design, the equipment can be charged during work, to achieve continuous work and improve processing efficiency



## PRODUCT CHARACTERISTICS

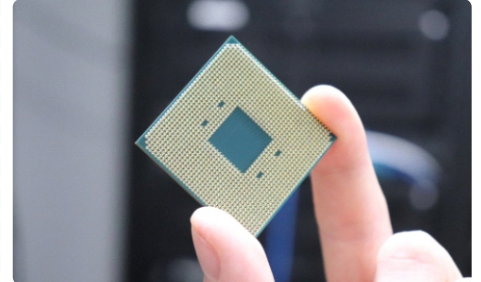


### AUTOMATIC START AND STOP DESIGN, SAVING ELECTRICITY AND REDUCING CONSUMPTION

Added automatic start-stop design, it will automatically stop after 60 seconds of standby and restart by tapping the screen;The standby time can be customized to effectively save unnecessary power consumption

### EIGHT-CORE CPU, CONFIGURE LINUX SYSTEM

The host adopts an 8-core processor and is equipped with a Linux system with a high security level. It has stable performance, fast response speed and is not easy to be poisoned and downtime.



中國加油! ABCD123456



REQ201709000000251

### DIVERSIFIED MARKING CONTENT, SUPPORT LANGUAGE CUSTOMIZATION

Rear USB interface, software support: text, pattern, QR code, barcode, serial number, graphics and other marking content;It supports operating system language customization.

### Convenient carrying case

Light travel, easy to store, the appearance of wear-resistant design, better protection of the box.



**MARKING EFFECT**



● Metal steel



● Metal iron



● Metal aluminum



● Metal copper



● Electroplating paint



● Painting material



● Hard plastic



● Wood